

**Kalmar DRG450-60S5**
**Lifting data**
**DRG450-60S5**

Lifting capacity at load centre L4, rated – at max. lifting height (kg)	45000 - 45000
Lifting capacity at load centre L5, rated – at max. lifting height (kg)	27000 - 27000
Lifting speed L4, unloaded – at 70% of rated load (m/s)	0,42 - 0,25
Lowering speed L4, unloaded – at rated load (m/s)	0,36 - 0,36

**Driving data**

Travelling speed forward, unloaded – at rated load (km/h)	28 - 22
Travelling speed backward, unloaded – at rated load (km/h)	18 - 16
Gradeability at 2 km/h, unloaded – at rated load (%)	35 - 19
Gradeability max., unloaded – at rated load (%)	37 - 22
Drawbar pull, max. (kN)	316

**Weight of trucks**

Service weight (kg)	67400
Axle load front at load centre L4, unloaded – at rated load (kg)	34600 - 100600
Axle load front at load centre L5, unloaded – at rated load (kg)	39000 - 86900
Axle load front at driving position according to ISO22915-12, and rated load (kg)	88800
Axle load rear at load centre L4, unloaded – at rated load (kg)	32800 - 11800
Axle load rear at load centre L5, unloaded – at rated load (kg)	28400 - 7500
Axle load rear at driving position according to ISO22915-12, and rated load (kg)	23600

**Engine**

Manufacturer / model	Volvo / TAD-1171-VE
Fuel / type of engine	Diesel / 4 stroke
Emission stage / approval	EU Stage IV / EPA Tier 4 Final
Number of cylinders - engine volume (liter)	6 / 10.84
Power nominal / max, according to ISO-3046 – at revs (kW@rpm)	265 / 1450-2000
Torque max, according to ISO-3046 – at revs (Nm@rpm)	1785 / 1000-1450
Alternator, type - power (W)	AC - 4200
Starting battery, voltage - capacity (V – Ah)	2×12 - 135-145
Fuel consumption, normal driving (l/h)	14-20
DEF consumption, normal driving (% of diesel)	1-5

**Transmission**

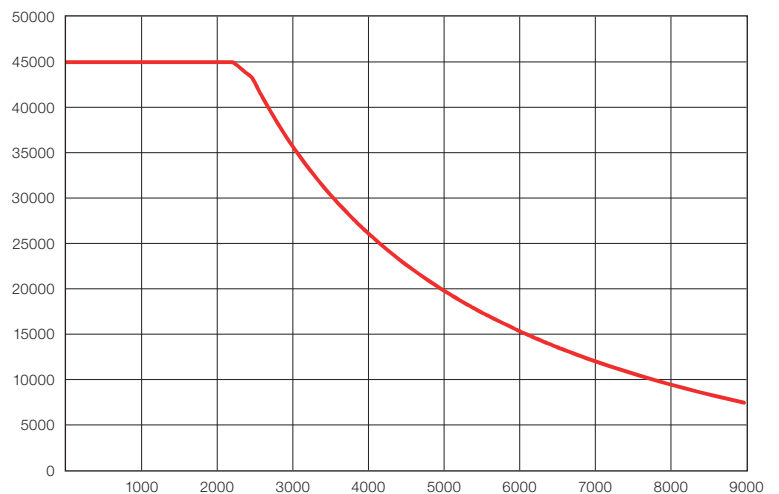
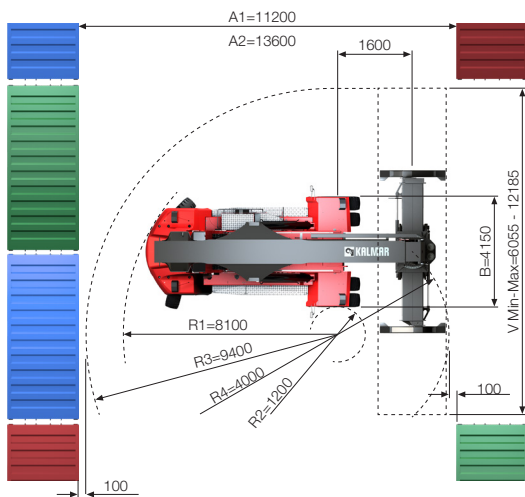
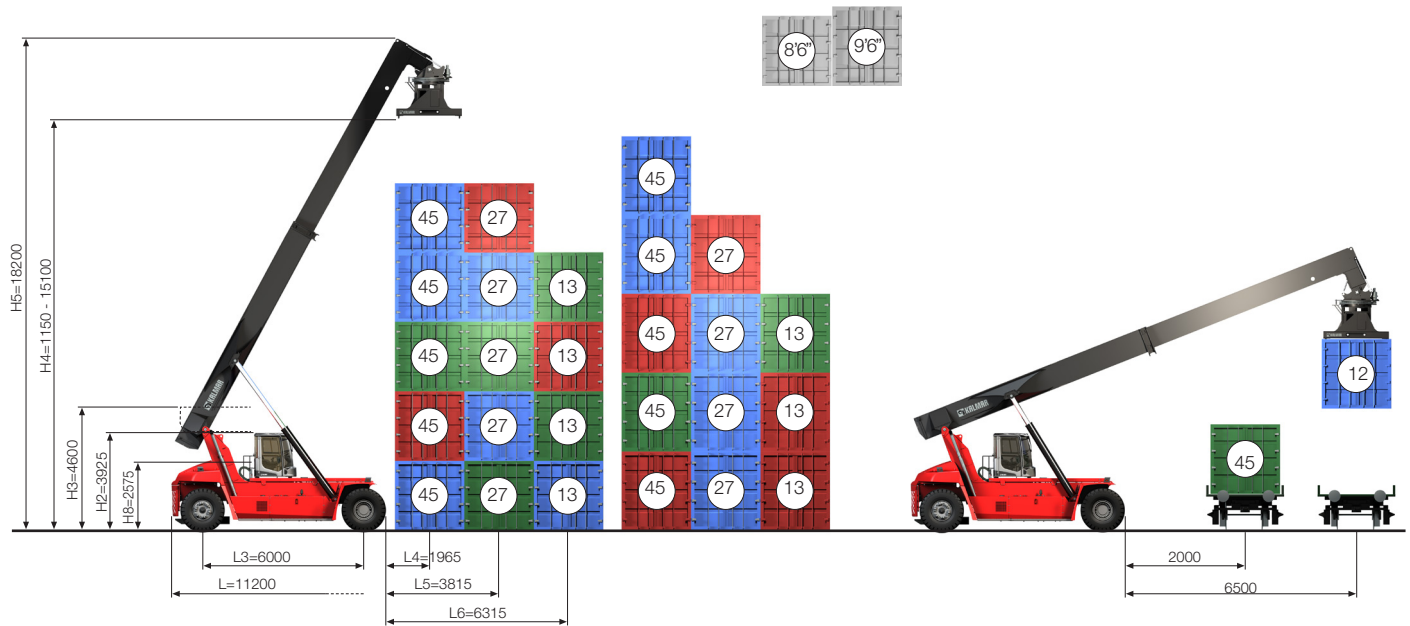
Manufacturer / model	ZF / 5WG-261
Clutch, type	Torque converter
Gearbox, type	Hydrodynamic Automatic (Power-shift)
Number of gears, forward - reverse	5 - 3
Driving axle, manufacturer / type	Kessler D102 / Differential and hub reduction

**Wheels**

Tyre, type	Tubeless - Diagonal - E4
Dimensions, front – rear (inch)	18.00x25 – 18.00x25
Rim dimension, front – rear (inch)	13.00x25 / 2.5
Number of wheels, front – rear (*driven)	4* - 2
Pressure (MPa)	1.0

**Miscellaneous**

Steering system, type – maneuvering	Electro-hydraulic servo - Steering wheel with orbitrol
Service brake system, type – affected wheels	Wet disc brakes - Drive wheel
Parking brake system, type – affected wheels	Spring brake - Drive wheel
Noise level EN12053 with ECO modes - equivalent inside cabin LpAZ (dB(A))	69-71
Noise level EN12053 with ECO-modes - equivalent outside cabin LwAZ (dB(A))	107-110
Max. hydraulic pressure (MPa) boom / spreader	23.0
Fuel volume (l)	550
DEF volume (l)	35
Hydraulic oil volume (l)	750 (600 + 150)
Overload protection	Electronic



## Dimensions

		DRG450-60S5
Boom angle (°)	$\alpha$	0 - 60
Attachment rotation, CW – CCW (°)	$\beta$	195 - 105
Sideshift $\pm$ (mm)	V1	$\pm 800$
Boom stroke / outreach (mm)		7000
Number of rotation motors and rotation brakes		2 + 2
Spreader lifting eyes, in boom nose		4
Spreader side tilt angle / tilt type		$\pm 5^\circ$ / MPS
Track (c-c), front – rear	S	3030 - 2600
Ground clearance, min. (mm)		250

The designs and materials specification are subject to alternation without prior notice.  
Tolerances according to K-standard 95430.0008/0009.

Kalmar offers the widest range of cargo handling solutions and services to ports, terminals, distribution centres and to heavy industry. Kalmar is the industry forerunner in terminal automation and in energy efficient container handling, with one in four container movements around the globe being handled by a Kalmar solution. Through its extensive product portfolio, global service network and ability to enable a seamless integration of different terminal processes, Kalmar improves the efficiency of every move. [www.kalmarglobal.com](http://www.kalmarglobal.com)

Kalmar is part of Cargotec. Cargotec's sales in 2018 totalled approximately EUR 3.3 billion and it employs around 12,000 people. [www.cargotec.com](http://www.cargotec.com)



Cargotec Sweden AB  
Movägen 1  
SE-341 32, Ljungby, Sweden  
tel. +46 372 260 00  
[www.kalmarglobal.com](http://www.kalmarglobal.com)